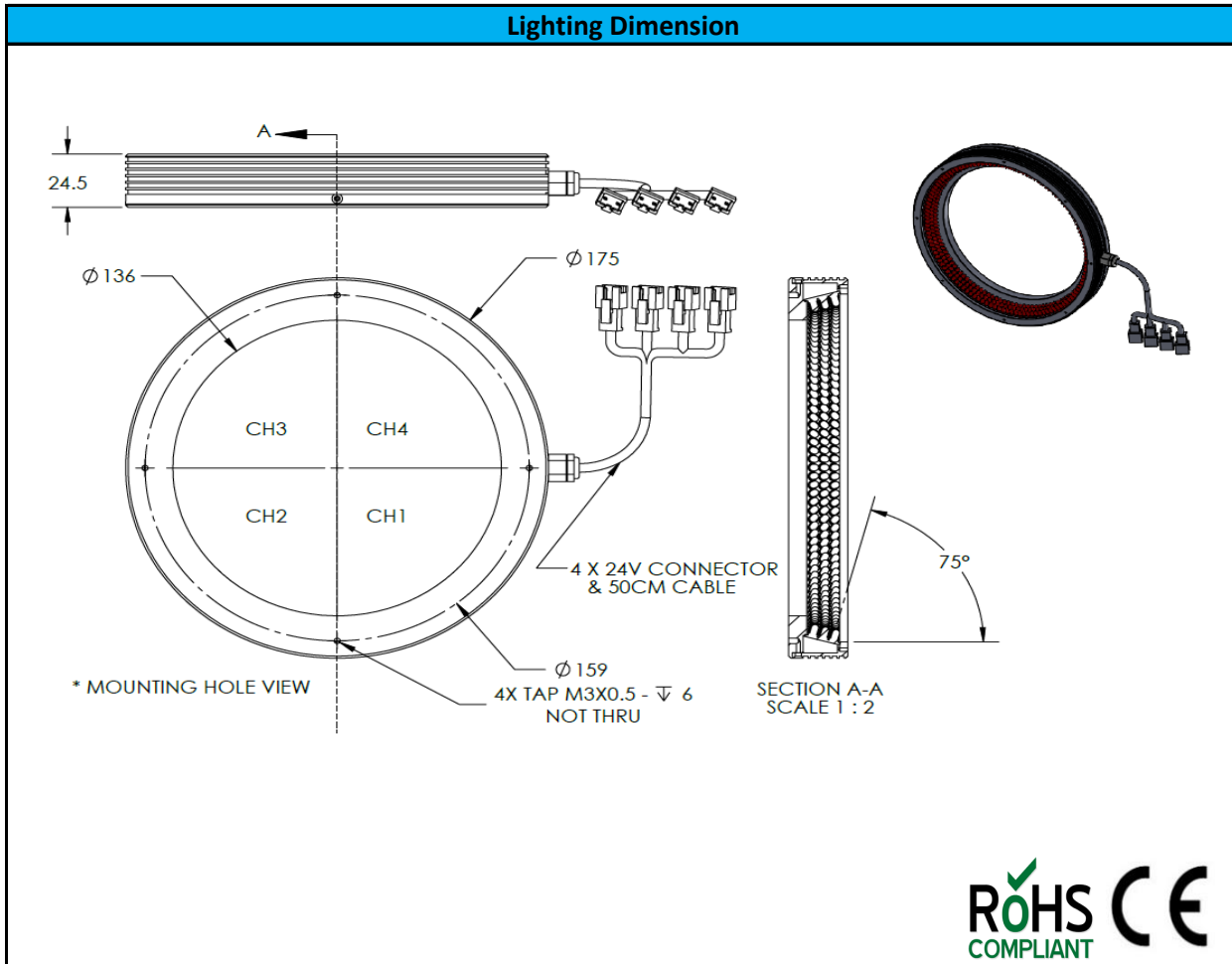




OPTO ENGINEERING

ILLUMINATOR DATA

LTZZ0170-75-3-G-24V-CH4



Mechanical Information	
Casing Material	Aluminium
Storage Temperature Range	0 - 45°C
Storage Humidity Range	20 - 85%
Weight	410g
Length / Outer Diameter	175mm
Width / Inner Diameter	136mm
Thickness / Height	24.5mm



OPTO ENGINEERING

ILLUMINATOR DATA

LTZZO170-75-3-G-24V-CH4

Lighting Information																							
Part Number	LTZZO170-75-3-G-24V-CH4																						
LED Color	Green																						
Wavelength	525																						
Working Distance	6	11	16																				
Intensity (±15%)	9780	13200	19600																				
Illumination (number of row)	3																						
Illumination Active Area	Active Length / Outer Dia.	160																					
	Active Width / Inner Dia.	136																					
Emission angle	75																						
Eye Safety Class (IEC62471)	EXEMPT																						
Chromaticity Table For White colour only	<table border="1"> <tbody> <tr> <td>X</td> <td>0.296</td> <td>0.287</td> <td>0.307</td> <td>0.311</td> <td>X</td> <td>0.311</td> <td>0.307</td> <td>0.33</td> <td>0.33</td> </tr> <tr> <td>Y</td> <td>0.276</td> <td>0.295</td> <td>0.315</td> <td>0.294</td> <td>Y</td> <td>0.294</td> <td>0.315</td> <td>0.339</td> <td>0.318</td> </tr> </tbody> </table>			X	0.296	0.287	0.307	0.311	X	0.311	0.307	0.33	0.33	Y	0.276	0.295	0.315	0.294	Y	0.294	0.315	0.339	0.318
X	0.296	0.287	0.307	0.311	X	0.311	0.307	0.33	0.33														
Y	0.276	0.295	0.315	0.294	Y	0.294	0.315	0.339	0.318														

Electrical Information	
Rated Constant Voltage	24V±2%
Rated Constant Current	735mA
Power Consumption	17.64W
Casing temperature, After 60 minutes operation	60

Strobe Mode Specification	
*Normal Strobe Voltage	24 V
*Normal Strobe Current	735mA
Overdrive Voltage Range	Min: 36V Max: 48V
Overdrive Current Range	Min: 2720mA Max: 4900mA
Recommended Overdrive Voltage	36V
**Max. Trigger Pulse Duration	10 msec
**Max. Duty Cycle	10%

*Normal strobe means the lighting is operated using the rated power. Overdrive means the power supplied to the lighting exceeded the rated power.


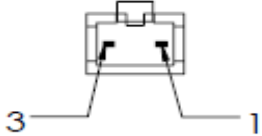
**Overdrive condition must not exceed the max. trigger pulse duration and max. duty cycle.



OPTO ENGINEERING

ILLUMINATOR DATA

LTZZ0170-75-3-G-24V-CH4

Connection Information			
Connector Type (Default)	JST SMR-03V		
Cable Length	50 cm		
Pin Configuration 	Pin	Signal	Cable Colour
	1	LED +	Red
	2	N.C	-
	3	LED -	White
			

Additional Information	
Additional Cooling Method	Attached to machine part for better heat dissipation
Intensity Controller Selection	SD, ST, ANG, LC, SDA, SDP series
CE Conformity	YES
RoHS Compliance	YES

Application	
Illumination Type	Direct, Low Angle, Ring Illumination
Application Use	Edge Detection, Scratch on Metal or Glossy Surface



OPTO ENGINEERING

ILLUMINATOR DATA

LTZZ0170-75-3-G-24V-CH4

Lighting Pattern				
Working Distance	For further details please contact us.			
Display and Image				
Data Results	Horizontal	Meas.(mm)	Vertical	Meas.(mm)
	90%		90%	
	80%		80%	
	70%		70%	
	60%		60%	
	50%		50%	
	40%		40%	
	30%		30%	
	20%		20%	
	10%		10%	